

**SPECIFICATIONS:**

**MODEL NUMBER:** 2088-343-135

**PUMP DESIGN:** Positive Displacement 3 Chamber Diaphragm Pump

**CHECK VALVE:** (1-Way Operation) Prevents Reverse Flow

**CAM:** 3.0 Degree

**MOTOR:** Permanent Magnet, P/N 11-111-00

**VOLTAGE:** 12 VDC Nominal

**PRESSURE SWITCH:** Adjustable Shut-Off (Range 30-50 PSI)

Factory Set @ 45 PSI, Turn On 25 PSI  $\pm$  5 PSI

**LIQUID TEMPERATURE:** 170 Degrees Fahrenheit (77 Degrees Centigrade) Max.

**PRIME:** Self-Priming Up To 8.0 Ft. Vertical,

Max. Inlet Pressure 30 PSI (2.1 Bar)

**PORTS:** 1/2" - 14 Male Parallel Thread

**MATERIAL OF CONSTRUCTION:**

**PLASTICS-** Polypropylene

**VALVES-** Viton

**DIAPHRAGM-** Santoprene

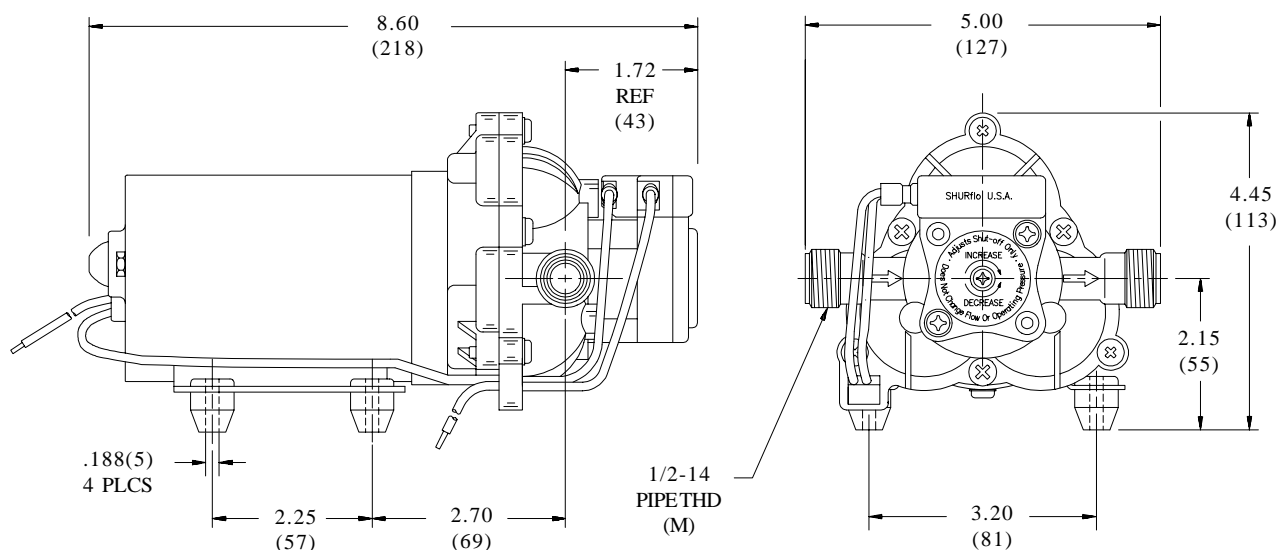
**FASTENERS-** Zinc Plated Steel

**NET WEIGHT:** 4.8 Lbs (2.18 Kg)

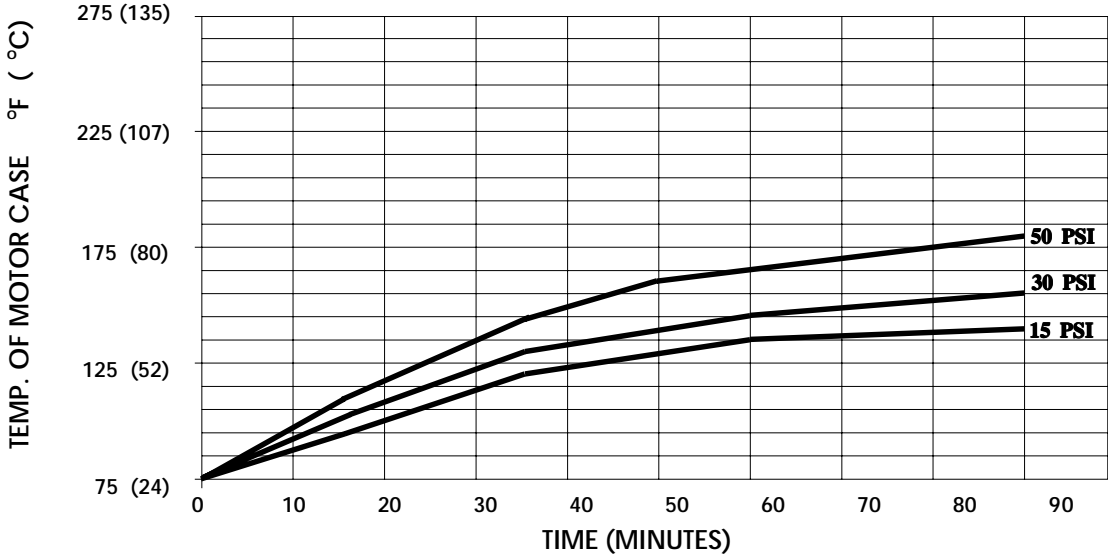
**DUTY CYCLE:** Intermittent (See Temperature Rise Chart)

**TYPICAL APPLICATIONS:** Agricultural Spraying

**DIMENSIONS:**

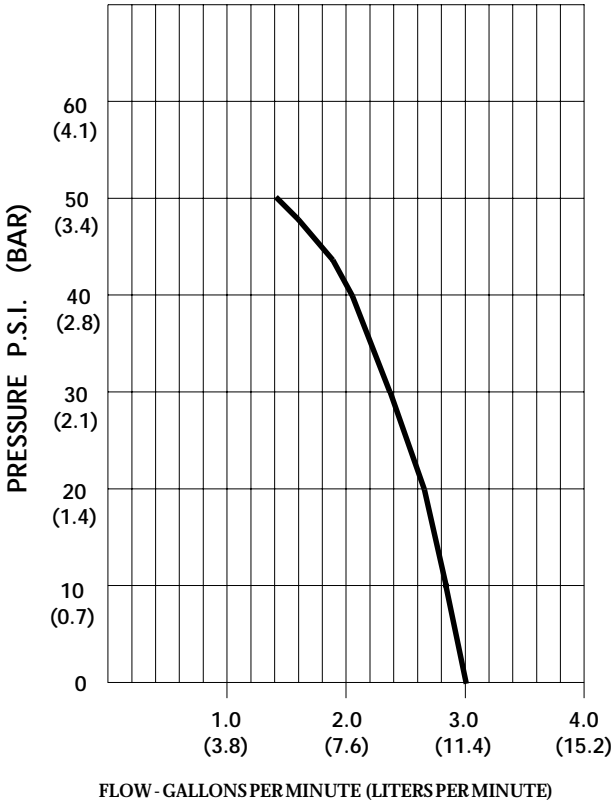


**TEMPERATURE RISE**



**THIS GRAPH IS FOR USE AS A DESIGN GUIDE. IT IS BASED ON RUNNING CONTINUOUSLY WITH AN AMBIENT TEMPERATURE OF 70°F IN STILL AIR.**

**TYPICAL PERFORMANCE**



PRESSURE (PSI)	FLOW (GPM/LIT)	RPM MIN/MAX	CURRENT (AMPS)	VOLTAGE (VOLTS)
OPEN	<b>3.00/11.3</b>	<b>2135/2190</b>	<b>4.0</b>	<b>12 VDC</b>
10	<b>2.80/10.6</b>	<b>2080/2140</b>	<b>5.3</b>	"
20	<b>2.69/10.2</b>	<b>1980/2045</b>	<b>5.5</b>	"
30	<b>2.36/8.9</b>	<b>1895/1950</b>	<b>6.7</b>	"
40	<b>2.05/7.8</b>	<b>1810/1875</b>	<b>7.7</b>	"
50	<b>1.42/5.4</b>	<b>1720/1800</b>	<b>8.0</b>	"

**-SPECIFICATIONS SUBJECT TO CHANGE WITHOUT NOTICE.  
-ALL DATA BASED ON TESTING WITH WATER.**